



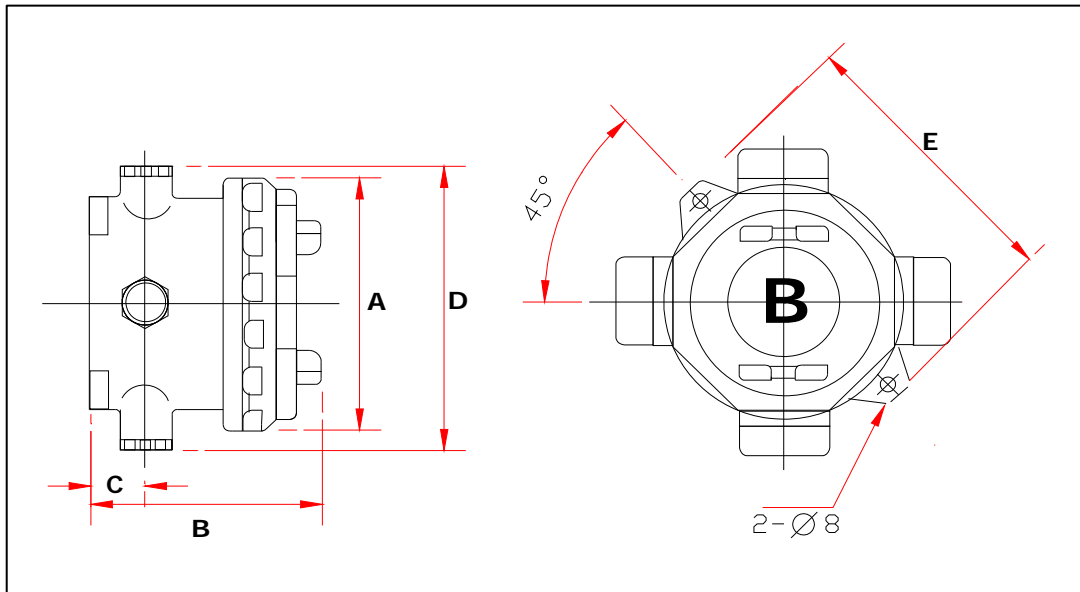
Conduit Outlet Bodies

ERB Round Boxes

EXPLOSIONPROOF

For UL.60079-1 Standard Class I,II Div.1 and 2 Groups C,D,E,F and G

For IEC.60079-0/1 Standard Zone 1 and Zone 2



Hub Size. NPT (inch)	Cat.,No.				Dimension in mm.					Approx. Weight (kgs.)
					A	B	C	D	E	
1/2"	ERBC 1	ERBL 1	ERBT 1	ERBX 1	98	85	21	135	120	0.68
3/4"	ERBC 2	ERBL 2	ERBT 2	ERBX 2	98	85	21	135	120	0.76
1"	ERBC 3	ERBL 3	ERBT 3	ERBX 3	98	85	21	135	120	0.87
M20 x 1.5	ERBC1M	ERBL1M	ERBT1M	ERBX1M	98	85	21	135	120	0.68
M25 x 1.5	ERBC2M	ERBL2M	ERBT2M	ERBX2M	98	85	21	135	120	0.76
M32 x 1.5	ERBC3M	ERBL3M	ERBT3M	ERBX3M	98	85	21	135	120	0.87